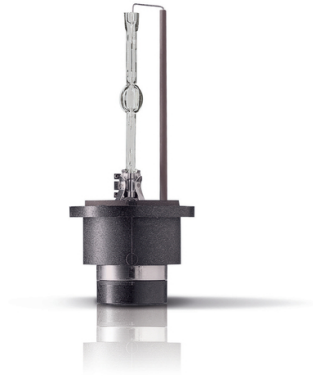


# MPXL

## DUV35 P32d 1CT



These microdischarge lamps are hot restrike, extremely robust, offer a long service life and come with either 35 or 50 watt power ratings. The DL and RP types can be operated in fast run-up mode and emit very little UV light due to the UV blocking outer bulb. In the RP version the burner is mounted for optimal light performance in a converging 50 mm reflector. The DUV versions are unique and emit in the UV spectrum.

### Product data

#### • General Characteristics

Philips Code	DUV35
Cap-Base	P32d
Operating Position	p
Main Application	Industrial UV

#### • Electrical Characteristics

Voltage	85 V
---------	------

#### • Product Data

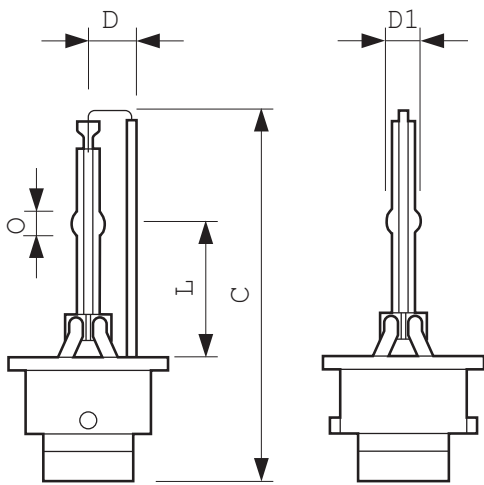
Order code	928550229404
------------	--------------

Full product code	928550229404
Full product name	DUV35 P32d 1CT
Order product name	DUV35 P32d 1CT/24
Pieces per pack	1
Packing configuration	24
Packs per outerbox	24
Bar code on pack - EAN1	8711500404886
Bar code on outerbox - EAN3	8711500404893
Logistic code(s) - 12NC	928550229404
Net weight per piece	14.000 gr

### Dimensional drawing

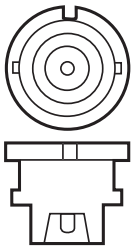
**PHILIPS**

Dimensional drawing



DUV35 P32d 1CT

Product	C (Max)	D (Max)	D1 (Max)	L (Max)	O (Max)
DUV35 P32d	-	-	-	-	-



P32d



© 2013 Koninklijke Philips N.V. (Royal Philips)  
All rights reserved.

Specifications are subject to change without notice. Trademarks are the property of Koninklijke Philips N.V. (Royal Philips) or their respective owners.

[www.philips.com/lighting](http://www.philips.com/lighting)

2013, August 23  
data subject to change