

Photo lamps

Darkroom lamps (B/W photography)

Special features:

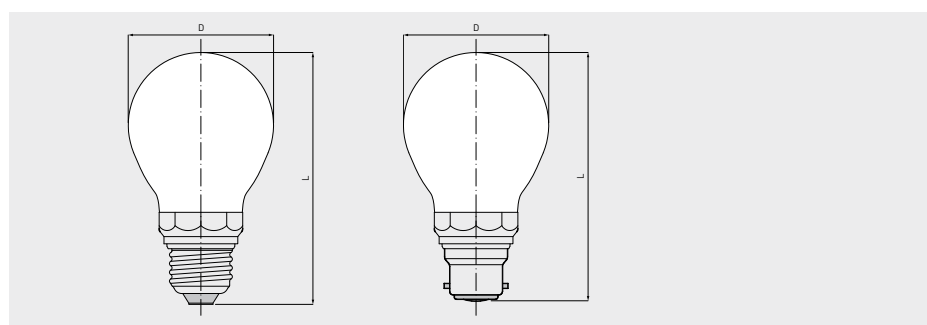
- correspond to Philips dark room lamps
- high-quality materials
- cadmium-free internal coating
- yellow-green: max. 6 minutes at 1 metre (100 ASA and above under 6 minutes)
- red: max. 0.5 - 6 minutes at 1 metre (depending on the film/developing fluid combination)
- cap between cap and bulb

Specific benefits:

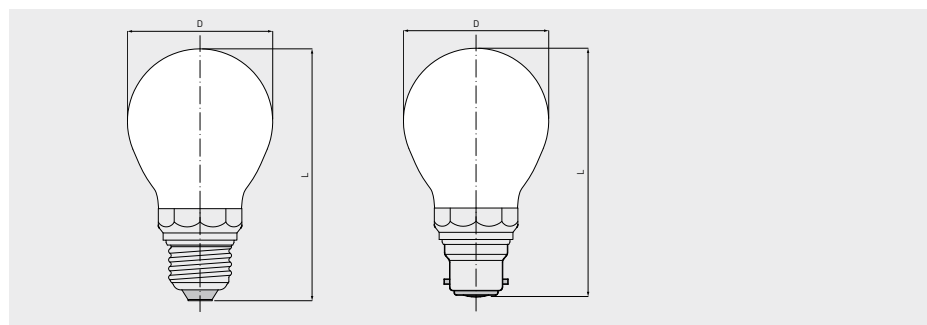
- no unwanted wavelengths
- no light emanation between cap and bulb

Areas of use:

- dark room lamp for B/W photography
 Yellow-green: photo emulsions on bromide and chlorine basis respectively and changeable contrast paper
 red: orthochromatic emulsions and changeable contrast paper



Article no.	Description	V	W	Amperage	Cap	Bulb diameter D max. mm	Total length L max. mm	Light centre length LCL mm	Luminous flux lm	Average life h	Burning position	PU
77841421	230V 15W E27 A.60x104 Yellow/green dark	230	15		E27	61	107		8	1,000	any	
77841424	230V 15W B22d A.60x104 Yellow/green dark room	230	15		B22d	61	105.5		8	1,000	any	



Article no.	Description	V	W	Amperage	Cap	Bulb diameter D max. mm	Total length L max. mm	Light centre length LCL mm	Luminous flux lm	Average life h	Burning position	PU
77841422	230V 15W E27 A.60x104 red dark room	230	15		E27	61	107		7	1,000	any	
77841425	230V 15W B22d A.60x104 red dark room	230	15		B22d	61	105.5		7	1,000	any	