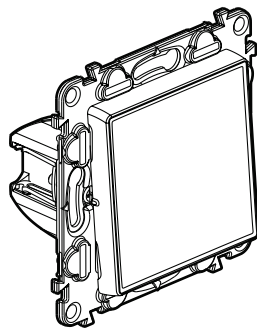
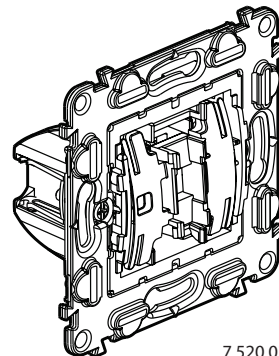


Valena™ Life - Valena™ INMATIC
Lighting controls 16 AX

Cat. No(s): 7 520 02/27/41 - 7 521 02 - 7 522 02 - 7 523 02



7 521 02



7 520 02

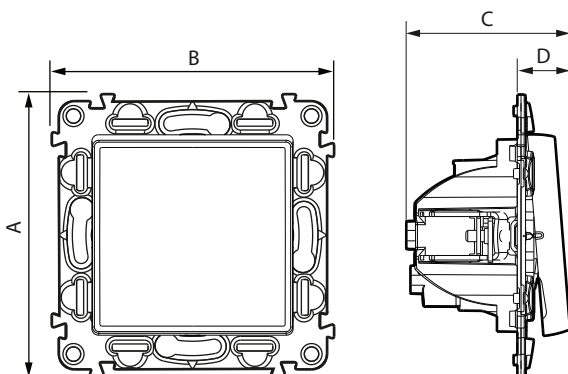
1. USE

Lighting controls mechanisms 16 AX - 250 V~.
 Mechanisms supplied with protection cover.
 To be equipped with plates one or several gangs.
 Flush-mounting or surface-mounting.
 Screw or claw fixing.

2. RANGE

Description	Mechanism + Cover plate			Mechanism only	Cover plate only		
	White	Ivory	Aluminium		White	Ivory	Aluminium
Two-way switch	-	-	-	7 520 27	7 550 00	7 550 01	7 550 02
Two-pole switch	7 521 02	7 522 02	7 523 02	7 520 02	7 551 20	7 551 21	7 551 22
Two-pole switch (Heizungsnotschalter)	-	-	-	7 520 02	7 551 30	7 551 31	7 551 32
Two-pole switch with indicator Cat. No 6 650 91	-	-	-	7 520 41	7 550 40	7 550 41	7 550 42

3. DIMENSIONS (mm)



References	A	B	C	D
7 521 02 - 7 522 02 - 7 523 02	75	75	43.5	14
7 520 02/41	75	75	39.5	10
7 520 27	75	75	37.5	10

4. CONNEXION

- **Screw terminals**
Cat. Nos 7 520 02/41 - 7 521 02 - 7 522 02 - 7 523 02
 Capacity: 2 x 4 mm²
 Stripping length: 10 mm
 Flexible or rigid cables compatible
- **Automatic terminals**
Cat. No 7 520 27
 Capacity: 2 x 2.5 mm²
 Stripping length: 13 mm
 Flexible or rigid cables compatible

5. TECHNICAL CHARACTERISTICS

■ 5.1 Mechanical characteristics

Protection against solid bodies and liquids: IP 20

Protection against impact: IK 04

■ 5.2 Material characteristics

Polygloss appearance

Colour: - White RAL 9003

- Ivory RAL 1013

- Aluminium

Material: - Rocker: ABS

- Base: PC

- Halogen free

- UV resistant

Material of the support: - Polycarbonate grey RAL 737 + Metal

- Halogen free

Self-extinguishing:

+ 850° C / 30 s for insulating parts holding live parts in place

+ 650° C / 30 s for other parts made of insulating materials

■ 5.3 Electrical characteristics

Voltage: 250 V~

Current: 16 AX

Frequency: 50/60 Hz

■ 5.4 Climatic characteristics

Storage and use temperature: - 5° C to + 35° C

6. MAINTENANCE

Surface cleaning with a cloth.

Do not use: acetone, tar remover, trichloroethylene.

Maintenance with the following products: Hexane (EN 60669-1),

Methylated spirit, Soapy water, Diluted ammonia, Bleach diluted to 10%,

Window-cleaning products.

Caution: A preliminary test should be carried out if other specific cleaning products are to be used.

7. STANDARDS AND APPROVALS

Compliance with standards of installation and manufacturing.

Refer to e. catalogue.