

MOTION DETECTORS
 (REF. 21401 | 45401 S | 21402 | 45402 S)

DESCRIPTION



- MEC 21 Mechanisms:
 - Finishings - LOGUSSM | sirius70 | APOLO 5000.
- Semi-assembled devices - QUADRO 45:
 - Finishings - QUADRO 45 | QUADRO 45.
design 5000 Vitrini
- Controls the connection of electrical circuits according to the detection of motion and surrounding luminosity.
- **Compatible with any electrical load.**
- **Wall mounting.**

OPERATION

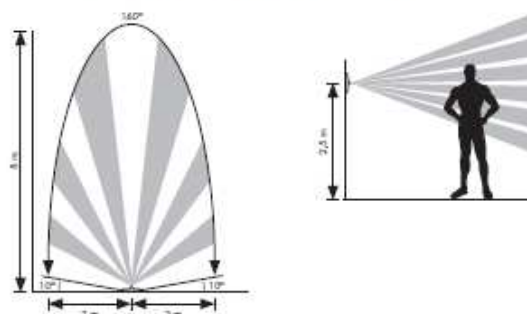
- Remove the cover of the mechanism to reach the adjustments potentiometers.
- Proceed to make the necessary adjustments.

Operating Time Regulation

Sensibility Regulation



Range of Detection and Detecting Angle



CHARACTERISTICS

- 230V~ - 50Hz.
- Ref. 21401: 1000W.
- Ref. 21402: 400W.
- It needs a neutral conductor.
- Consumption: < 1W.
- Sensitivity regulation.
- Operating time regulation: 5 sec. to 5 min.
- Range of detection: 8 meters.
- Maximum height: 2,5 meters.
- Detection angle: 160°.
- Outputs: NO+NC.
- Inverter contact (NO+NC), voltage free.

WIRING DIAGRAM

