

Product Information Sheet



Railway Signaling



Type RS6025
12V 15W BA20s

Ordering – No.
46025

Product Description

Signaling Lamp

Features

Single Filament

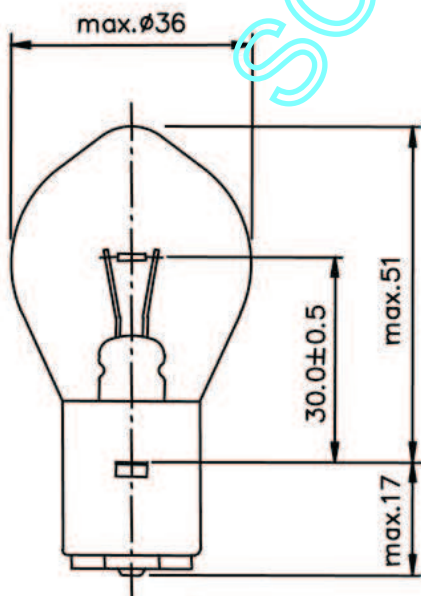
Applications

Railway Signal

Technical Details

Type	RS6025
Rated Voltage (V)	12
Wattage (W) (at 12V)	max. 16,0
Luminous Flux (lm) (at 12V)	150 ± 10%
Lumen Maintenance (at 12V)	80% at 750 h
Average Lifetime (h) (at 12V)	1500
Base	BA20s
Maximum Overall Length (mm)	max. 68,0
Bulb Diameter (mm)	max. 36,0
Light Center Length (mm)	30,0 ± 0,5
Packaging Configuration	200
Environmental Remark	Product don't contain lead or mercury and is conform with Directive 2011/65/EC "Restriction of the use of certain hazardous substances in electrical and electronic equipment".

Drawing (in mm)



valid from	28.01.2013—V1—PN13/0030
replace for	
file	46025.100.pdf