

Halogen reflector

6853 75W GZ6.35 12V 1CT



Philips' halogen reflector lamps offer the ideal no-fuss solution for a wide variety of medical, projection and scientific illumination systems. Their proven reliability makes them ideal for retrofit installations. The burners are precisely aligned for optimal light performance. Dichroic reflectors ensure heat dissipation towards the back of the optical system, which helps the optical system remain within temperature limits. A special blue-filter version blocking out unwanted light above 700 nm is available for dental curing applications. In addition, you get all the proven advantages of halogen technology such as a CRI of 100 – the same as natural sunlight for the best possible color rendering. Halogen lamps also create a comfortable warm white light, and they maintain their high lumen output with almost no lumen reduction throughout their lifetime.

Product data

• General Characteristics

Philips Code	6853
ANSI Code	EFN
LIF Code	A1/230
Cap-Base	GZ6.35
Bulb	R50
Bulb Material	Quartz-UV Open
Reflector Finish	Smooth
Operating Position	s105
Main Application	Projection
Life to 50% failures	50 hr

• Light Technical Characteristics

Color Rendering Index	100 Ra8
Color Temperature Technical	3400 K

• Electrical Characteristics

Lamp Wattage	75 W
Voltage	12 V
Dimmable	Yes

• Luminaire Design Requirements

Pinch Temperature	500 (max) C
Bulb Temperature	900 (max) C

Working Distance WD	32 mm
---------------------	-------

• Product Dimensions

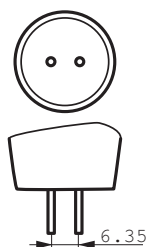
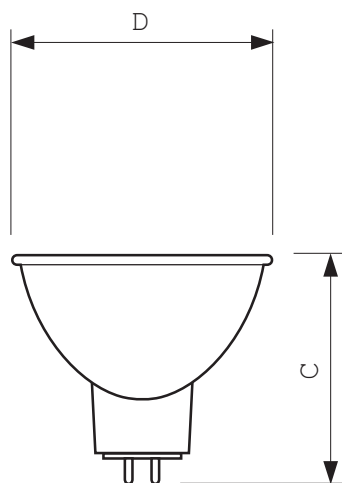
Overall Length C	42 (max) mm
Diameter D	50 (max) mm
Filament Dimensions (WxH) [mm]	-

• Product Data

Order code	923916617104
Full product code	923916617104
Full product name	6853 75W GZ6.35 12V 1CT
Order product name	6853 75W GZ6.35 12V 1CT/10X5F
Pieces per pack	1
Packing configuration	10X5F
Packs per outerbox	50
Bar code on pack - EAN1	8711500427298
Bar code on intermediate packing - EAN2	8711500440624
Bar code on outerbox - EAN3	8711500427304
Logistic code(s) - 12NC	923916617104
Net weight per piece	24.000 gr

Dimensional drawing

Dimensional drawing



GZ6.35

6853 75W GZ6.35 12V 1CT

Product	C (Max)	D (Max)	L (Min)	L (Norm)	L (Max)
6853 75W GZ6.35 12V	42	50	-	-	-



© 2012 Koninklijke Philips Electronics N.V.
All rights reserved.

Specifications are subject to change without notice. Trademarks are the property of Koninklijke Philips Electronics N.V. or their respective owners.

www.philips.com/lighting

2012, December 28
data subject to change