

## HALOLUX T ECO 25 W 230 V E14

---

HALOLUX T ECO | Halogen lamps for refrigerators



- Domestic refrigerators

### Product benefits

---

- Compact dimensions
- UV filter
- Contains no mercury, can be thrown away with normal household waste

### Product features

---

- Average life: 2,000 h
- 100 % dimmable



## Technical data

---

### Electrical data

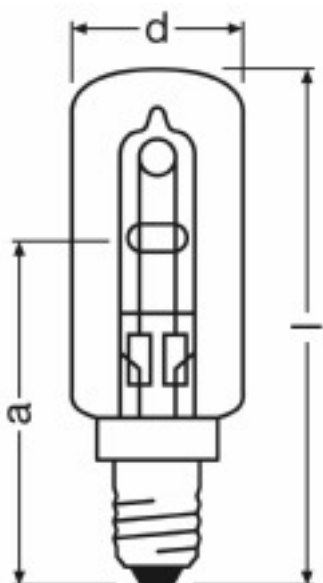
Rated wattage	25 W
Nominal wattage	25 W
Nominal voltage	230 V

### Light technical data

Light color as per EN 12464-1	Warm White
Nominal luminous flux	260 lm
Rated luminous flux	260 lm
Color temperature	2700 K
Color rendering index Ra	100
Starting time	0.0 s
Warm-up time (60 %)	0 s
Lumen main.fact.at end of nom.life time	0.80

### Dimensions & weight

Length	80.0 mm
Overall length	80.0 mm
Diameter	26.0 mm
Light center length (LCL)	55.0 mm
Outer bulb	T26



Product line drawing

#### Colors & materials

Lamp mercury content	0.0 mg
Mercury-free	Yes

#### Lifespan

Nominal lamp life time	1500 h
Rated lamp life time	1500 h
Number of switching cycles	50000 <sup>1)</sup>

<sup>1)</sup> At 1 min on / 3 min off

#### Additional product data

Base (standard designation)	E14
-----------------------------	-----

### Capabilities

<b>Dimmable</b>	Yes
<b>Burning position</b>	Any
<b>Non-standard conditions</b>	REFRIDGERATOR

### Certificates & standards

<b>EEI – Energy Label</b>	D
---------------------------	---

### Country specific categorizations

<b>ILCOS</b>	HSGST/C/UB-25-230-E14
<b>Order reference</b>	64860 T ECO

## Disclaimer

---

Subject to change without notice. Errors and omission excepted. Always make sure to use the most recent release.