

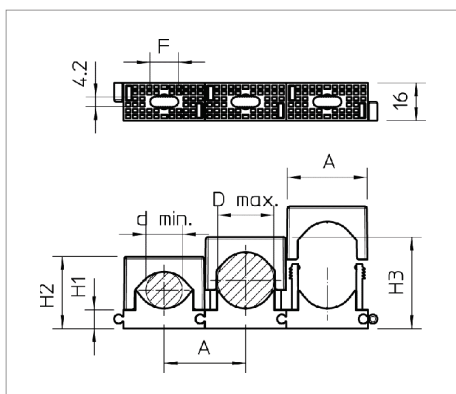
Technical data sheet Series pressure clip



Universal clip for the single fastening of cables and pipes, all sizes can be seamlessly expanded among each other, with adhesive foot, slot and for screwing to M6 thread.

To stick the polyamide clips to masonry and concrete, use Impu-Fix ribbon conductor quick adhesive, type 509.

*Sizes 3–7 are not suitable for nail guns.



Type	Clamping range D mm	Colour	Box quantity	Pack. pcs	Weight kg/100 pcs.	Art-No.
2037 3-7 LGR	3	Light grey; RAL 7035	1000	100	0.257	2250071
2037 6-13 LGR	6	Light grey; RAL 7035	1200	100	0.370	2250136
2037 12-20 LGR	12	Light grey; RAL 7035	500	50	0.640	2250209
2037 16-24 LGR	16	Light grey; RAL 7035	600	50	0.840	2250241
2037 18-30 LGR	18	Light grey; RAL 7035	300	25	1.232	2250306
2037 27-43 LGR	27	Light grey; RAL 7035	300	25	1.810	2250438

PA Polyamide

E /100 pc.

